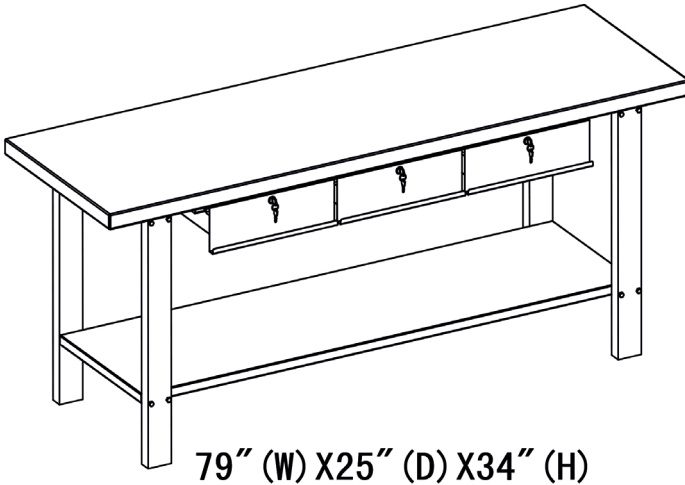




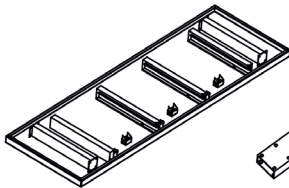
51738

STEEL WORK BENCH

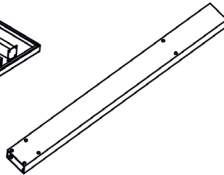
ASSEMBLY INSTRUCTIONS



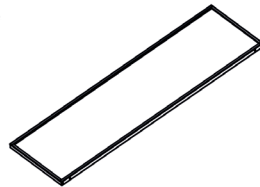
PARTS LIST



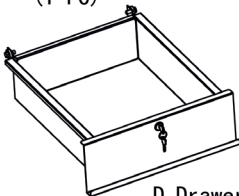
A Bench Top Parts
(1 PC)



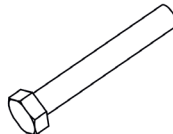
B Bench Leg
(4 PCS)



C Shelf
(1 PC)



D Drawer Parts
(3 PCS)

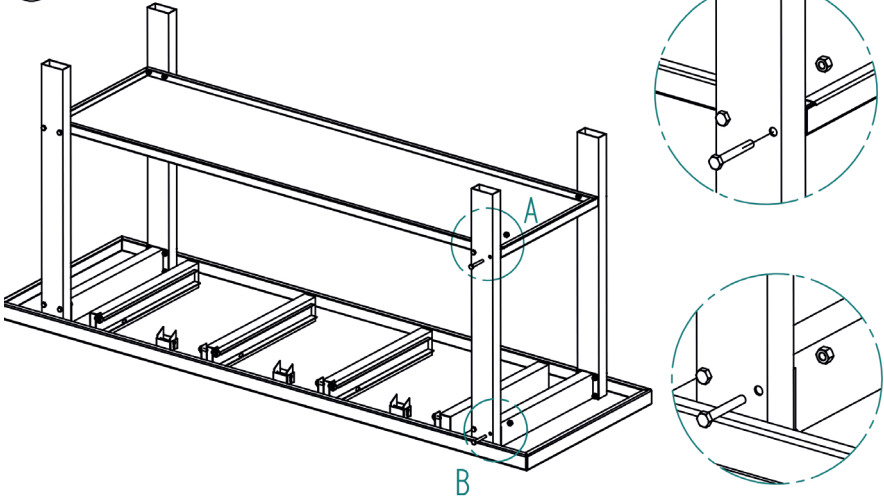


E M8X55 Bolt
(24+1 PCS)

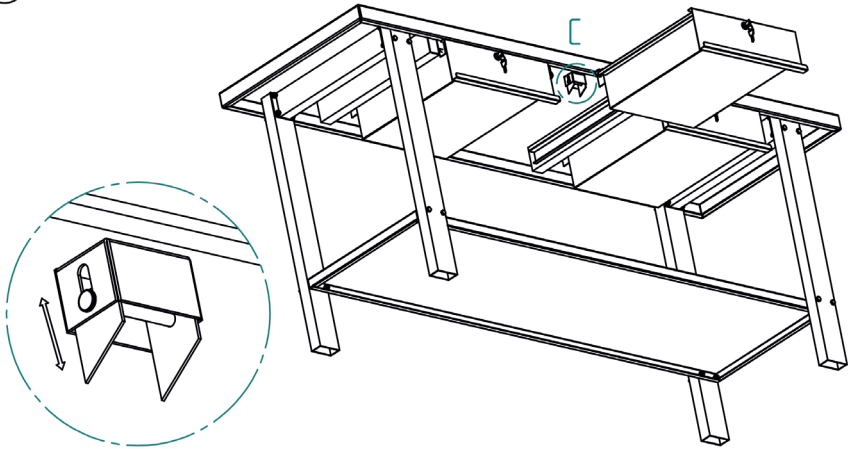


F M8 Nut
(24+1 PCS)

①



②



51738

JBM[®]

www.jbmcamp.com

C/ Rejas, 2 - P5, Oficina 17
28821 Costada (Madrid)
jbm@jbmcamp.com
Tel. +34 972 405 721
Fax. +34 972 245 437